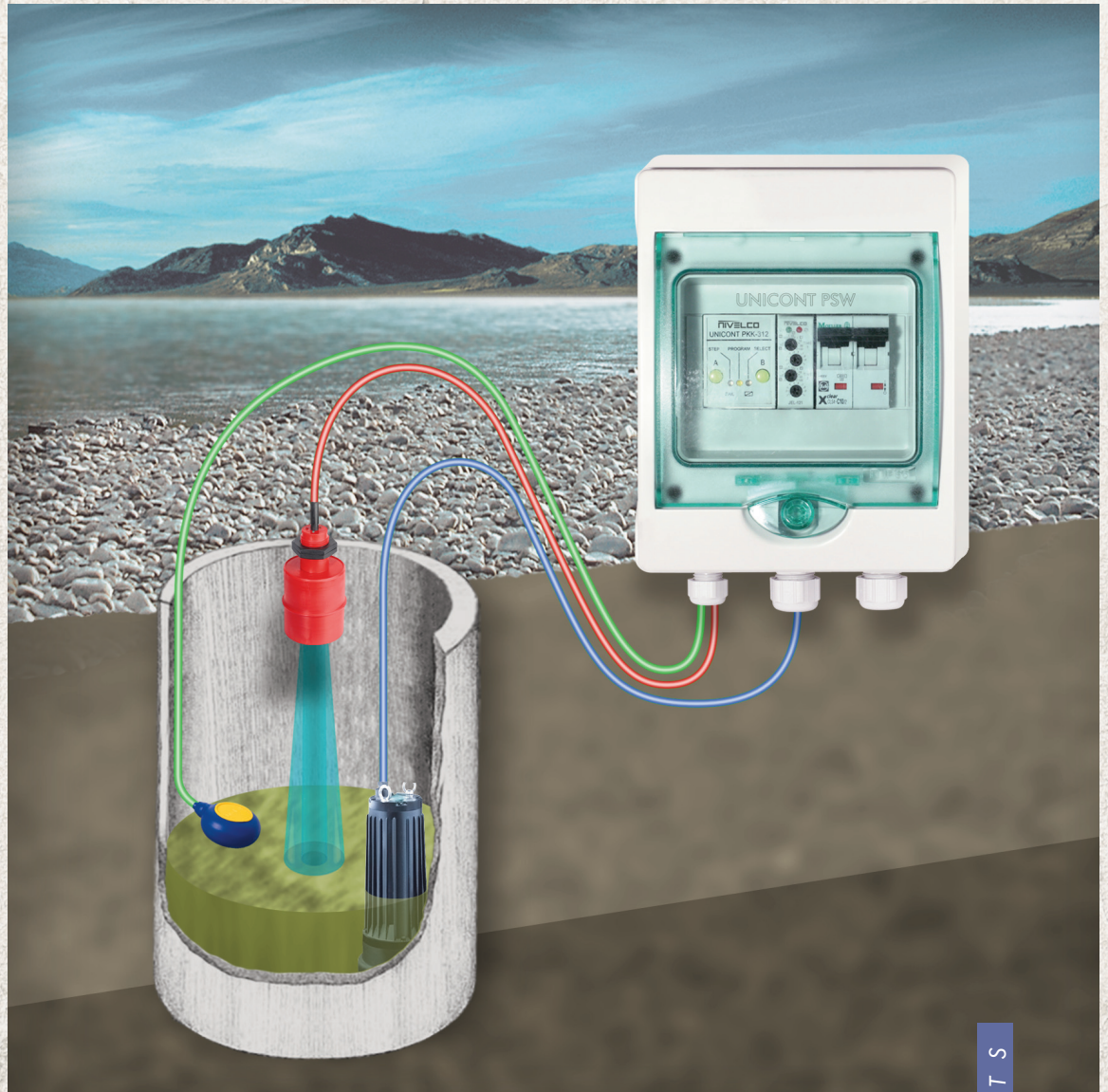


For sewage and drainage sumps

UNICONT PSW

ULTRASONIC PUMP CONTROL SYSTEM



COMPONENTS



OUR PROFESSION IS YOUR LEVEL

MAIN FEATURES APPLICATIONS TECHNICAL DATA

- Cost-saving
- Maintenance-free
- Fully automatic pump control
- Ultrasonic level measurement
- 0.3–3 m measurement range
- Programmable pump cycling
- IP68 / IP65 protection
- Optional dry-run or overflow protection
- Domestic sewage shafts, wetwells
- Sumps
- Tanks, flood storage
- Drainage sumps, pools

GENERAL DESCRIPTION

The low-cost **UNICONT PSW** pump control unit is designed for fully automatic level control of small domestic or communal sewage shafts, sumps or wetwells. An IP68 protected ultrasonic level transmitter performs continuous level measurement and delivers 4–20 mA level data to the **UNICONT PSW** unit featuring a user programmable controller.

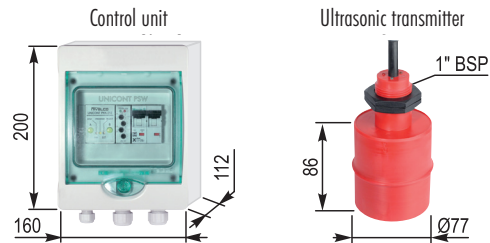
This controller featuring relay output incorporated in the **UNICONT PSW** directly controls the single phase pump acting in the sump, well, etc. The current controlled switch operates in differential level switch mode as default, the low and high levels are programmable. By the help of an optional programmable timer automatic pump cycling can be performed to prevent jamming of the pump in case of long idle periods. This function is useful in case of infrequent usage or low water consumption.

The optional **NIVOFLOAT NLP** type float level switches may be used for additional dry-run or overflow protection if safety is a priority. The system can be turned on or off by a single-pole Miniature Circuit Breaker or a Motor Protection Switch.

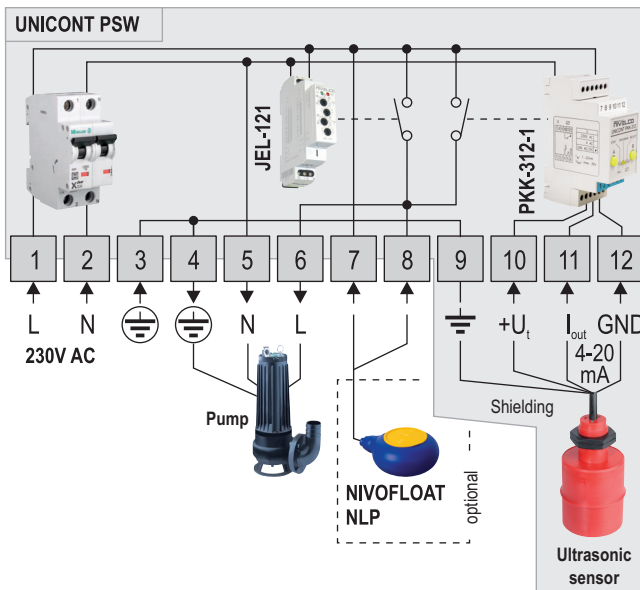
Type	UNICONT PSW-1□□-1	
Power supply	230 V AC ±10%	
Protection	Miniature Circuit Breaker	C 60N - 1P+N 6A/C
	Motor Protection Switch	Z-MS2P-10
Output	1-1 piece of NO relay, 250 V AC, 8A, AC1	
Functions	Automatic pump out control	Field programmable high level (Pump ON), and low level (Pump OFF)
	Timed pump cycling	10 s – 100 days
	Overflow protection, fail-safe indication	Float switch ¹
Control unit	Electrical connection	4 pcs. plastic cable glands, terminal: max. 2.5 mm ² wire cross section
	Electrical protection	Class I.
	Ingress protection	IP65
	Mass	~2 kg
Level transmitter	Range	0.3 – 3 m
	Operation principle	Ultrasonic
	Housing material	PP
Type: UTP-241-4-X14	Process connection	1" BSP
	Cable ²	3 m shielded, PVC insulation
	Power supply	24V DC
	Ingress protection	IP68

¹ Accessory, to be ordered separately.
² Standard cable length of the ultrasonic sensor: 3 m.
 Different cable length is available (up to 30 m)!

DIMENSIONS



CONTROL SYSTEM



ORDER CODES

UNICONT ultrasonic pump control system UNICONT PSW-1 ■ ■ -1

Timer	Code	Protection	Code
With	0	None ¹	0
Without	1	Miniature Circuit Breaker	1
		Motor Protection Switch	2

¹ Auxiliary electric protection is needed if not ordered!

Accessories

NIVOFLOAT NLP-105-1	Float switch with 5 m cable
NIVOFLOAT NLP-110-1	Float switch with 10 m cable
NIVOFLOAT NLP-120-1	Float switch with 20 m cable
NIVOFLOAT NMW-100	Counterweight for float switch