



NIPOWER

POWER SUPPLY MODULES



OUR PROFESSION IS YOUR LEVEL

COMPONENTS

GENERAL DESCRIPTION

The rail mounted NIPOWER switching-mode power supply modules provide 12 V or 24 V stabilized DC output for low power consumption devices.

MAIN FEATURES

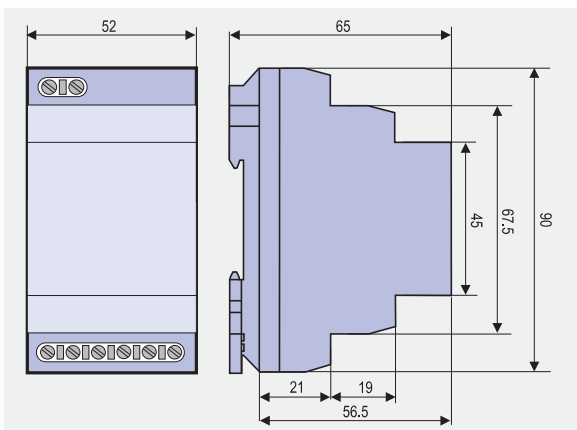
- Stabilized DC output
- Switching-mode power supply
- DIN rail mounted
- Short-circuit protection
- Overload protection
- Overvoltage protection

TECHNICAL DATA

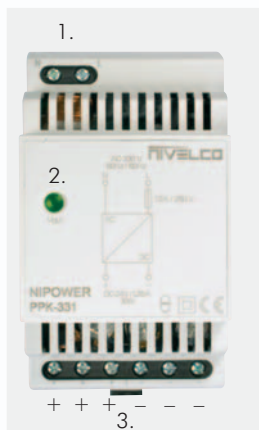
TYPE	PPK-321	PPK-331
Power supply voltage (U _{IN})	230 V AC / 50-60 Hz -15%; +10%	
Output voltage (U _{OUT})	12.2 V DC ±2%	24.2 V DC ±2%
Output current*	2500 mA	1250 mA
Consumption without load	max. 5 V A	
Consumption with maximum load	max. 78 V A	
Overload capability	max. 120%	
Efficiency	>75%	
Fuse	T2A / 250 V	
Protection against	short-circuit, overload, overvoltage	
Output voltage indicator	green LED	
Ripple on the output without load	80 mV	
Ripple on the output with maximum load	20 mV	
Delay on switching ON	max. 0.5 sec	
Delay on switching ON after overload	max. 0.5 sec	
Operating temperature	-20°C ... +40°C	
Electrical strength between input and output	4 kV	
Electrical connection	terminal, wire cross section: max. 2.5 mm ²	
Protection class	Class II with strengthened insulation	
Mechanical connection	DIN EN 50022-35 rail mounted	
Ingress protection	IP 20	
Mass	136 g	

* Correct air-flow is needed to prevent overheating.

DIMENSIONS



WIRING



ORDER CODE

NIPOWER PPK-3 **1**

OUTPUT	CODE
12 V DC	2
24 V DC	3

1. Input voltage terminals
2. Output voltage indicator
3. Regulated, stabilized DC output